



Introducing the Lean Back

Better Picture. Touch Responsive. Amazingly Thin.



The Lean Back is sleek, stylish and super lightweight. Twist on the legs and you're ready to go! Spyglass has designed this display to be a powerful tool as well as robust and easy to use. The Lean Back comes with or without touch capabilities.

- Includes: Touch foil and 30" Spy180 Vikuiti™ rear projection film laminated to clear flame polished acrylic.
- Solid aluminum legs, detachable for storage and shipping.
- Includes carrying bag with looped handles.
- Driver CD and user manual
- USB or Serial Cable



Software

- Driver CD
User must specify PC or MAC compliance upon ordering

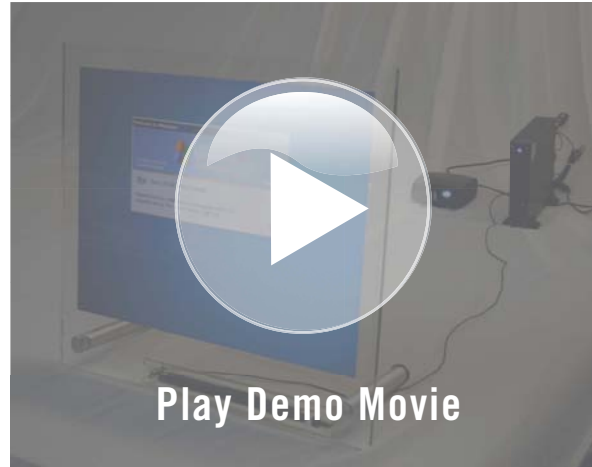
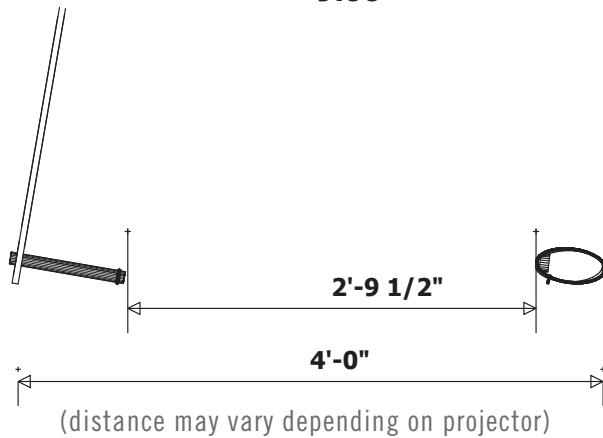
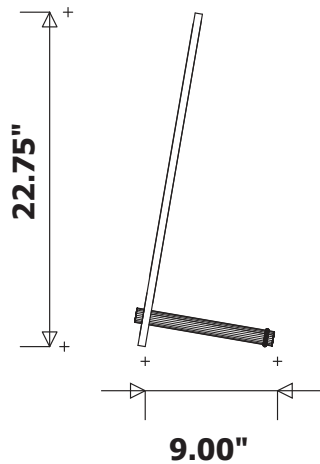
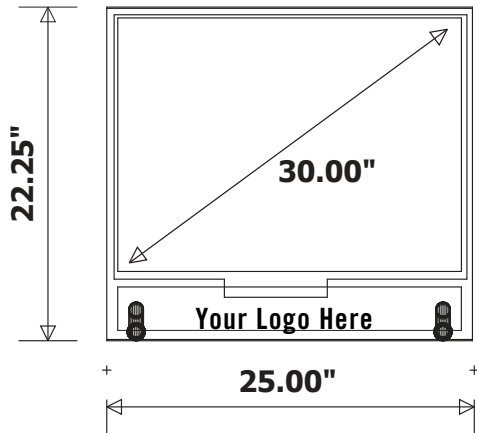


Style meets protection.

Our padded carrying cases are hand-sewn using ballistic vinyl, foam padding, and a soft fabric interior to protect your new projection screen. Cases come with accessory pockets, zipper closure, and handles for easy transport.

SPYEGGLASS

Lean Back (Touch Capable)



Size and Weight

25" Wide
22.25" Tall
9.5" Deep
Weight: 15lbs
4:3 Ratio



Cleaning & Care

Rinse with clean water and dry by blotting with a damp cloth or chamois. **Do not** use window cleaning sprays, kitchen scouring compounds or solvents such as acetone, gasoline, benzene, alcohol, carbon tetrachloride, or lacquer thinner. These can scratch/deteriorate the screen surface.



Warranty and Disclaimers

- Requires Windows XP operating system.
- It is also recommended that your projector have a minimum of 450 - 900 lumens for optimal image results.

(Projectors and computers are available through Spyeglass).

Options and Accessories



A smaller way to make a big impression.

Business professionals on the go can hit the road with this Samsung LED projector. The lightweight, palm sized DLP projector is among the brightest LED projectors available today. The LED light source delivers 30k hours of lamp life, low power consumption, and is mercury free. It conveniently fits into a road warrior's computer bag or luggage and sets up in seconds. You'll always be ready to shine for your clients with this lightweight projector.



Spyeglass Fanless Mini-computer

- 1.5Ghz, 256MB RAM, 8GB Flash
- Windows XP embedded SP2
- Pre-installed software and drivers*
- Internal Wi-Fi
- Keyboard and mouse



* Pre-Installed Software

- DIVX for Windows 10.0.2.47
- Micro Touch Software 7.12.5
- Foxit PDF Reader 3.0.2009.1301
- Quicktime 7.55.90.70
- Windows Media Player 11
- Shockwave Player 1.0.0.0
- Microsoft Office Power Point Player 2003,
- Adobe Flash Player 3.0.5
- Adobe Air 1.5.0.7220
- Touchfoil Control and Driver
- Microtouch Control and Driver



Just in case. . .

Spyeglass has a variety of hard shipping cases and wooden shipping crates available. Protect your investment, and make travel easier with wheels, handles, and hand closures. Your dealer can help you decide what level of protection is necessary for your individual situation.